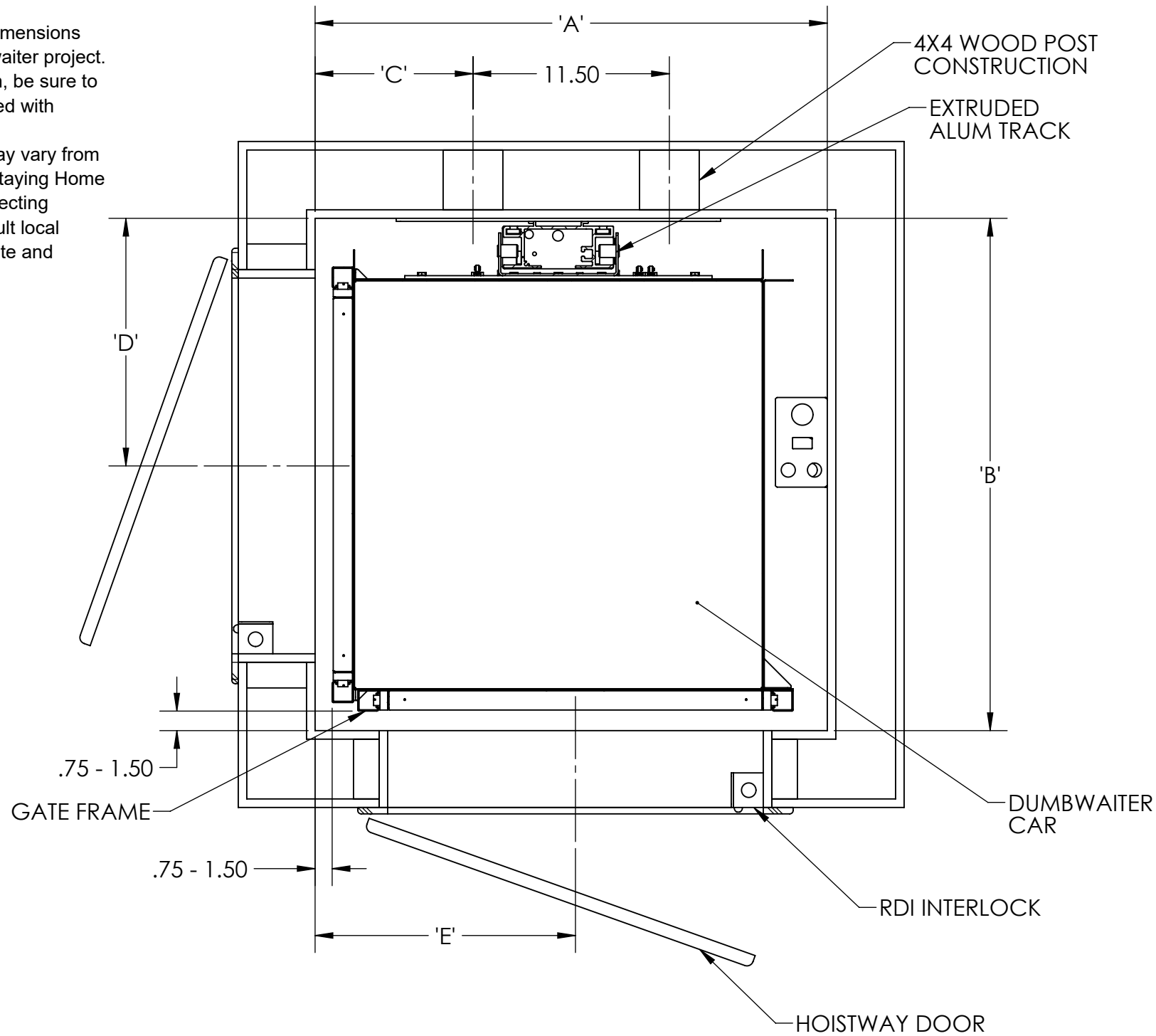


This generic drawing shows nominal dimensions useful for INITIAL planning of a dumbwaiter project. BEFORE beginning actual construction, be sure to request application drawings customized with dimensions for your specific project. Hoistway construction requirements may vary from state to state. Dimensions given are Staying Home Corporation's recommended sizes, reflecting running and access clearances. Consult local authority to assure compliance with state and local codes.



PLAN VIEW OF HOISTWAY

Dumbwaiter Specs

- CAR SIZE: 20"W X 20"D X 30"H
- 24"W X 24"D X 30"H
- 30"W X 30"D X 36"H
- DRIVE SYSTEM: BATTERY POWERED RACK AND PINION
- FINISH: POWDER COATED (RAL 9002)
- SPEED: 16-20 FPM
- POWER SUPPLY: 110VAC
- TRACK: 6063-T6 EXTRUDED ALUMINUM
- CONTROLS: AUTOMATIC OPERATION, WIRELESS PUSH BUTTON CONTROL AT EACH LANDING
- MOTOR: 140 WATT, 24VDC
- BRAKE: 24VDC
- CAR GATE: BI-PARTING VERTICAL SLIDING PANELS
- SAFETY DEVICE:
 - LIMIT SWITCHES AT EACH STOP
 - FINAL LIMIT AT TOP AND BOTTOM
 - CAR GATE SWITCH
 - ELECTROMECHANICAL HOISTWAY DOOR INTERLOCKS
 - OVERSPEED GOVERNOR

DOUBLE OPENING - LEFT HAND CAR						
CAR SIZE	'A'	'B'	'C'	'D'	'E'	CAPACITY
20 x 20	26"	26"	7.25"	12.5"	13.25"	200#
24 x 24	30"	30"	9.25"	14.5"	15.25"	200#
30 x 30	36"	36"	12.5"	17.5"	18.25"	275#

HOISTWAY DIMENSIONS TO FINISHED WALLS.
HOISTWAY DOOR CAN SWING EITHER DIRECTION. RIGHT HAND SHOWN

PROPRIETARY AND CONFIDENTIAL
THE INFORMATION CONTAINED IN THIS DRAWING IS THE SOLE PROPERTY OF STAYING HOME CORPORATION. ANY REPRODUCTION IN PART OR AS A WHOLE WITHOUT THE WRITTEN PERMISSION OF STAYING HOME CORPORATION IS PROHIBITED.

UNLESS OTHERWISE SPECIFIED:		NAME	DATE
DIMENSIONS ARE IN INCHES			10/18/16
TOLERANCES:			
FRACTIONAL ±1/16			
ANGULAR: ±0.5°			
ONE PLACE DECIMAL ±0.1			
TWO PLACE DECIMAL ±0.01			
THREE PLACE DECIMAL ±0.005			
INTERPRET GEOMETRIC TOLERANCING PER:			
MATERIAL			
FINISH			
DO NOT SCALE DRAWING			
DRAWN			
CHECKED			
ENG APPR.			
MFG APPR.			
Q.A.			
COMMENTS:			
Staying Home Corporation 2501 Anaconda Rd Harrisonville, MO 64701 816-380-2427 www.stayinghome.com			
TITLE:			
DOUBLE OPENING - 90° LEFT			
SIZE	DWG. NO.	REV	
B	DW-90 LH	B	
SCALE: 1:48		WEIGHT:	SHEET 1 OF 1