



AmeriGlide

Accessibility Solutions

HERCULES EXTENDED TOWER

INSTALLATION GUIDE

Please read this installation guide carefully to ensure correct installation of the **HERCULES EXTENDED TOWER** Vertical Platform Lift.

HERCULES EXTENDED TOWER RESIDENTIAL & COMMERCIAL

Rev. September 5th, 2018

p/n: 999355-0058

IMPORTANT

Do not throw away, destroy, or lose this installation guide. The instructions included in this guide must be followed to prevent product malfunction, property damage, injury, or death to the user or other people. Incorrect operation due to ignoring instructions found in this guide can cause harm, damage, injury or death. A summary of safety precautions is found below.

For more technical materials such as drawings and specification, end user support, and manuals, visit www.ameriglide.com

WARNING

Read all instructions contained in this installation guide before installing the AmeriGlide **HERCULES EXTENDED** Vertical Platform Lift. It is highly recommended to observe and adhere to all governing codes and ordinances in the job site locale. This includes ensuring all work and materials comply and conform with all authorities having jurisdictions. Proper installation is the responsibility of the installer and failure to follow all instructions renders the AmeriGlide Limited Warranty null and void.

DISCLAIMER

AMERIGLIDE, INC. shall not be held responsible or liable for any personal injury or property damage caused by or resulting from inappropriate operation of original product or of a product that has been modified or altered from the original **HERCULES EXTENDED** design. No person or company is authorized to change the **HERCULES EXTENDED** design without authorization and the express written consent of AMERIGLIDE, INC.

SAFETY PRECAUTIONS

Safety of personnel is the primary concern during all procedures. Before beginning installation read and understand the installation guide and containing procedures carefully to ensure correct and safe installation. Use the appropriate tools and accessories during installation. Plan your work and do not work alone, if possible. Know how to obtain emergency medical and fire fighting assistance.

Be sure to follow all the precautions below as they are important for ensuring safety. This installation guide classifies the safety precautions into DANGER, WARNING, CAUTION and NOTE.

DANGER	Indicates an imminently hazardous situation which, if not avoided, will result in death or serious injury.
WARNING	Failure to follow any of WARNING is likely to result in such grave consequences as death or serious injury
CAUTION	Failure to follow any of CAUTION may in some cases result in grave consequences or damage to the lift.
NOTE	Provides information such as reminders and guidelines and do not fit into the preceding text.

IMPORTANT FOR THE INSTALLER

The AmeriGlide **HERCULES EXTENDED** Vertical Platform Lift shall be installed and serviced only by an authorized AmeriGlide, Inc. Dealer only. The authorized dealer should refer to this guide for installation and servicing. For maintenance, please refer to the **HERCULES EXTENDED** Vertical Platform Lift Owner's Manual.

Please carefully read and follow the instructions found in this guide BEFORE installing and/or operating the AmeriGlide **HERCULES EXTENDED** Vertical Platform Lift. Improper installation, adjustment, service, use or maintenance can cause personal injury or property damage. If you have any problems or need assistance please contact your dealer immediately.

INSTALLATION SAFETY INSTRUCTIONS

WARNING - To reduce the risk of fire, electric shock, personal injuries, and/or death, obey the following precautions:

- Never exceed the maximum rated lift capacity.
- Never use the AmeriGlide **HERCULES EXTENDED** Vertical Platform Lift to lift freight or other materials than intended by design.
- Read and understand the installation guide prior to installing the AmeriGlide **HERCULES EXTENDED** Vertical Platform Lift.
- Wear appropriate safety protection equipment for your head, eyes, hands and feet during all phases of the installation.
- Use extreme caution when lifting components into position to avoid personal injury and damage to the equipment.
- Keep panels and protective coverings in place to avoid potentially fatal injury.
- Disconnect power from the unit before performing any electrical or mechanical service operations.
- Never bypass sensor switches which prevent accidental start up when protective panels are removed.
- Be aware of the location of others in the work zone.
- Do not wear jewelry or loose clothing.
- Lock the wheels of any mobility device riding on the platform.
- Use only recommended anchor fasteners.
- Check and verify for applicable local codes and regulations.

NOTE

Failure to comply the these Installation Safety Instructions could render the warranty null and void. If you have any question or concerns that are not covered in this installation guide, please contact your dealer immediately.

INCLUDED PARTS AND HARDWARE

If you have received a **HERCULES EXTENDED** Vertical Platform Lift, please follow this **HERCULES EXTENDED VERTICAL PLATFORM LIFT INSTALLATION GUIDE** before continuing with the **HERCULES INSTALLATION GUIDE**.

Before beginning installation, please inspect and check the box contents. Report any missing or damaged parts to your dealer.

PARTS	
<ul style="list-style-type: none"> • 2 Front Panels • 2 Rear Panels • 1 Top Cover • 2 Front Panel Support Rails • 1 Folding Ramp Cam Joint + Hardware • 2 12V Batteries with Jumper Cable, Terminal Caps and Zip Tie • 1 Bungee Cord 	<ul style="list-style-type: none"> • 1 Acme Screw Rod • 1 Motor and 90° Drive • 1 Output Drive Shaft • 2 Keys • 2 Couplers • 1 Bearing • 1 Retaining Ring
HARDWARE	
<ul style="list-style-type: none"> • 20+ Truss Phillips Screws (10/24"-20 X 3/4") • 4 Hex Bolts (5/16 X 1/2"), 4 Washers, 4 Washers, 4 Hex Nuts • 4 Truss Phillips Screws (1/4"-20 X 3/4") 	<ul style="list-style-type: none"> • 2 Hex Bolts (5/16 X 1"), 2 Washers, 2 Split Washers, 2 Hex Nuts • 4 Flat Head Mach. Screws (1/4-20 x 1-1/2") • 2 Hex Bolt (3/8 X 3/4"), 2 Split Washers, 2 Washers.

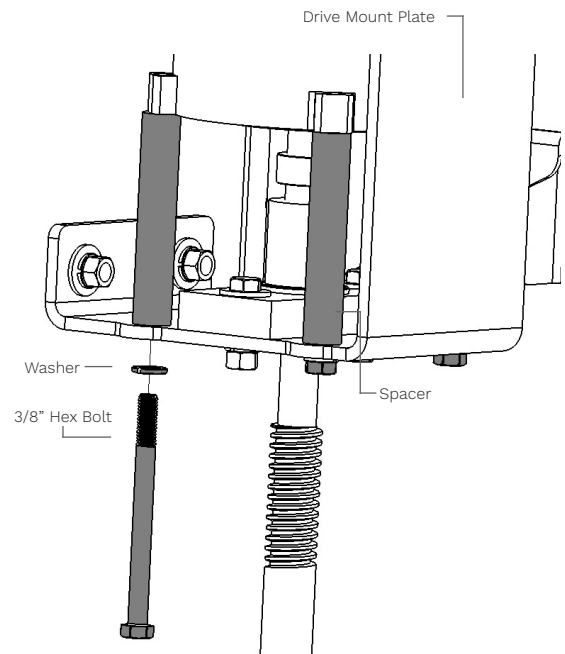
1. REMOVE DRIVE MOTOR

PROCEDURE

Unmount the Drive Motor

INSTALL

1. Unfasten the 4 Hex Bolts, 4 Washers and 4 Spacers.
2. Remove the Drive Motor and set aside.



IMPORTANT
ENSURE TO KEEP THE SAME BOLT CONFIGURATION FOR REMOUNTING THE DRIVE MOTOR IN STEP 8.

2. POSITION LOWER TOWER AND INSTALL BACK PANEL

MATERIALS

Lower Back Panel and Truss Phillips Screws

PROCEDURE

Place the Lower Tower near to it's final position and install the Back Panel.

INSTALL

1. Slide the Lower Tower near it's final position. **Be sure to leave room behind the Lower Tower so that you can access it from the back.**
2. Align and fasten the Lower Tower Back Panel using Truss Phillips Screws (**10/24 X 3/4"**).

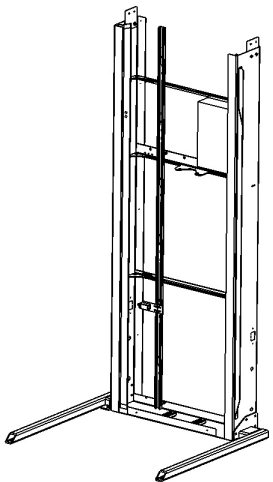


FIG 1. LOWER TOWER

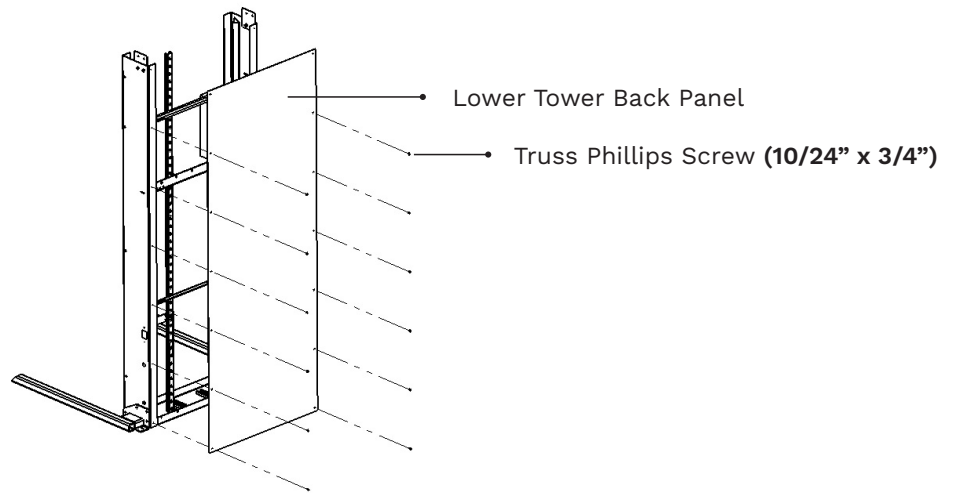


FIG 2. LOWER TOWER BACK PANEL

3. MOUNT AND FASTEN UPPER TOWER

MATERIALS

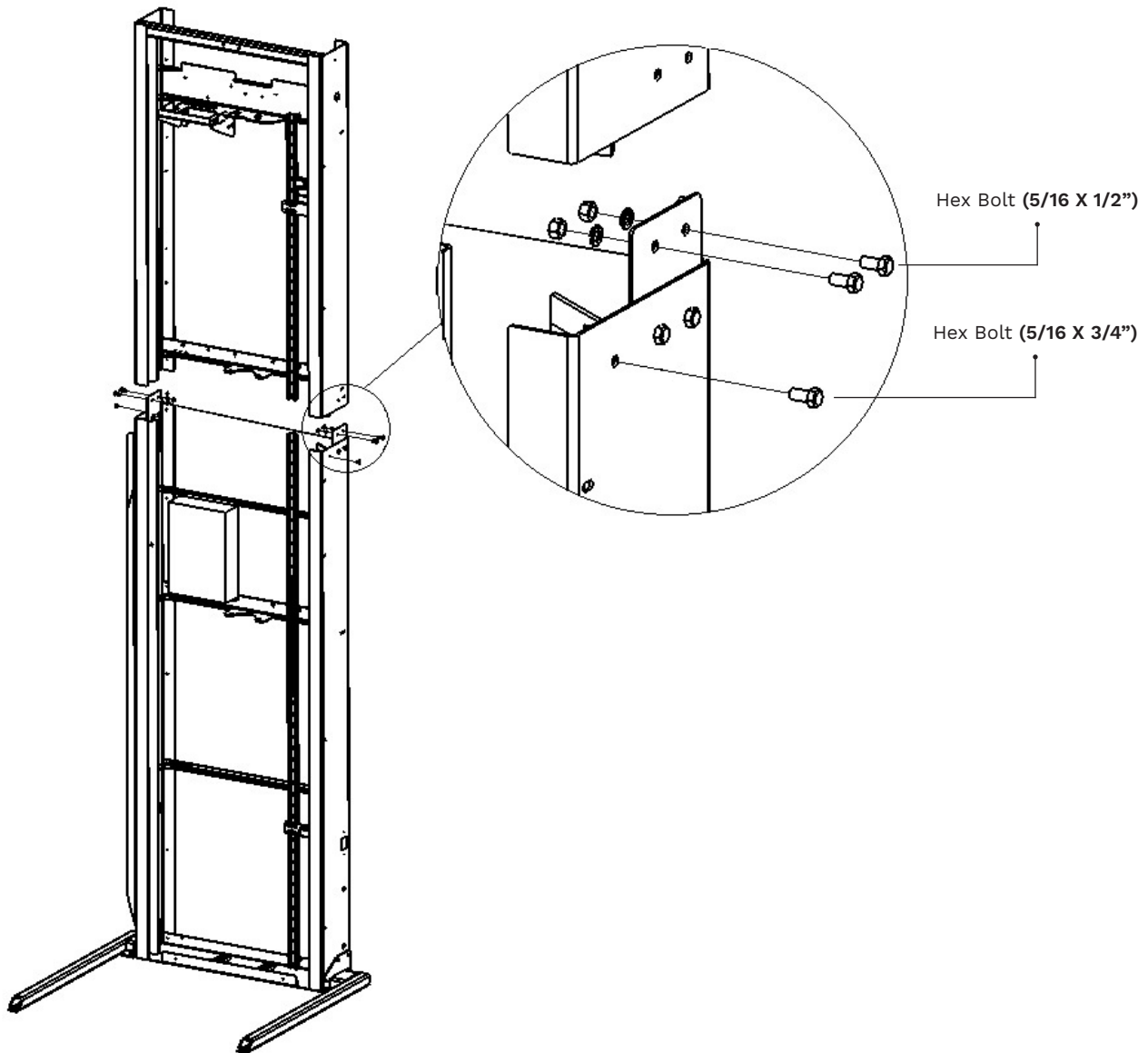
Upper Tower, 4 Hex Bolts (5/16 X 1/2"), 2 Hex Bolt (3/8 X 3/4"), Folding Ramp Cam Joint and Hardware

PROCEDURE

Mount and fasten the Upper Tower on top of the Lower Tower.

INSTALL

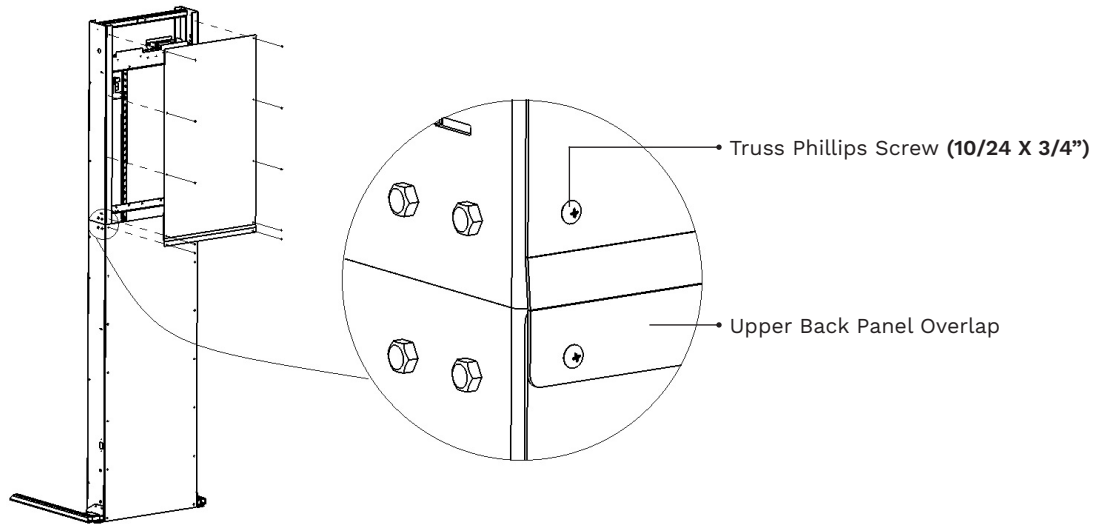
1. Align and slide the Upper Tower on top of the Lower Tower.
2. Fasten the Upper and Lower Tower together using 2 Hex Bolts (5/16 X 1/2") and 1 Hex Bolt (3/8 X 3/4") on each side of the Tower.
3. Install and fasten the Folding Ramp Cam Joint using 2 Hex Bolts (5/16 X 1"). Hardware is already attached to Angled Iron Bar.



4. INSTALL UPPER BACK PANEL

INSTALL

1. Align and fasten the Upper Tower Back Panel using Truss Phillips Screws (**10/24 X 3/4"**).
2. Slide the **HERCULES EXTENDED** Vertical Platform Lift into it's final position.



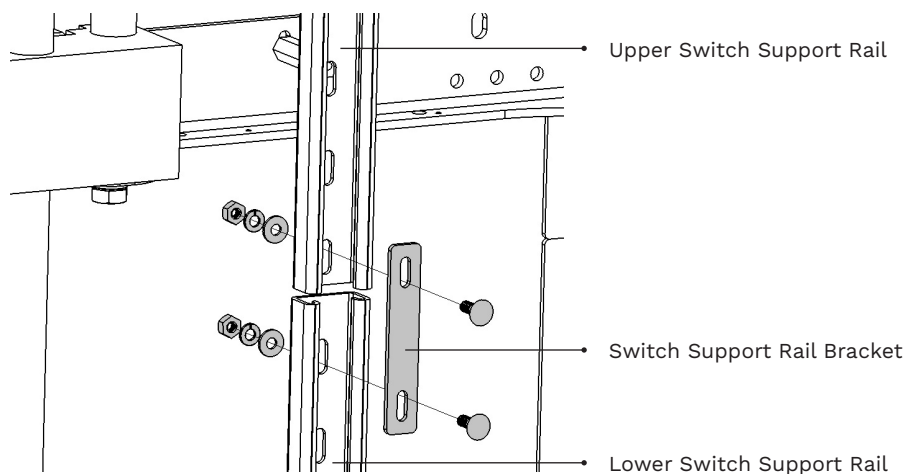
5. CONNECT LIMIT SWITCH SUPPORT

PROCEDURE

Fasten together the Upper and Lower Switch Support Rails.

INSTALL

1. Connect and fasten the Upper and Lower Switch Support Rails using provided hardware and bracket.
2. Loosen Upper Limit Switch Assembly and unroll the cable. Slide and fasten the Upper Limit Switch into position for later installation and calibration.



6. INSTALL ACME SCREW ROD

CAUTION

USE TWO PEOPLE WHEN HANDLING AND INSTALLING THE ACME ROD. BE CAREFUL NOT TO BEND THE ACME ROD. ANY FLEXING OF THE ACME ROD WILL RENDER THE ROD UNUSABLE.

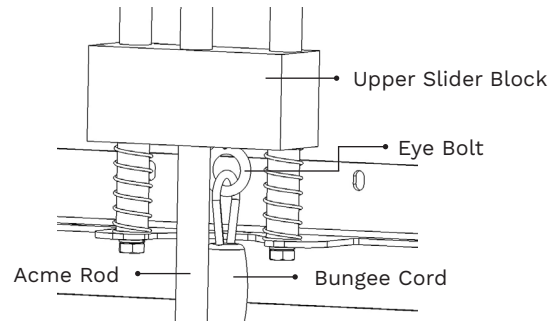
PROCEDURE

Install and fasten the Acme Screw Rod.

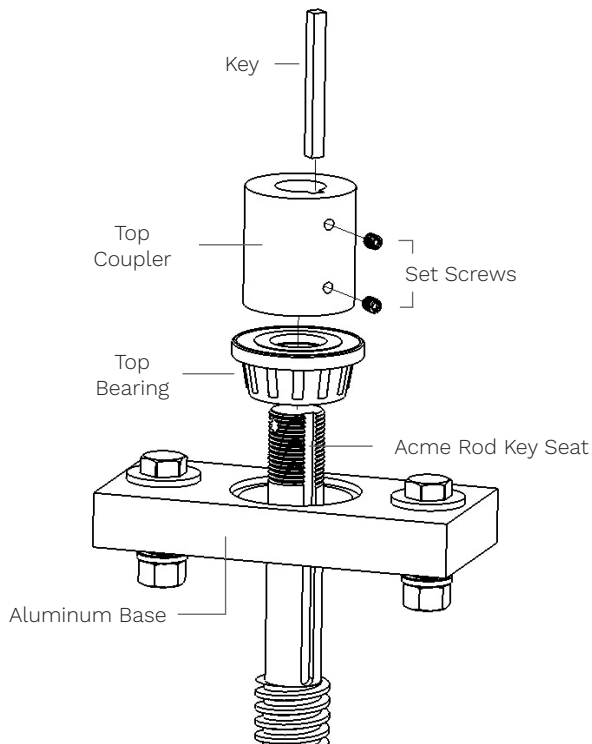
INSTALL

1. Place the Top Bearing into the Aluminum Base.
2. Position the Upper Slide Block to its uppermost position.

Upper Slider Block Full Assembly



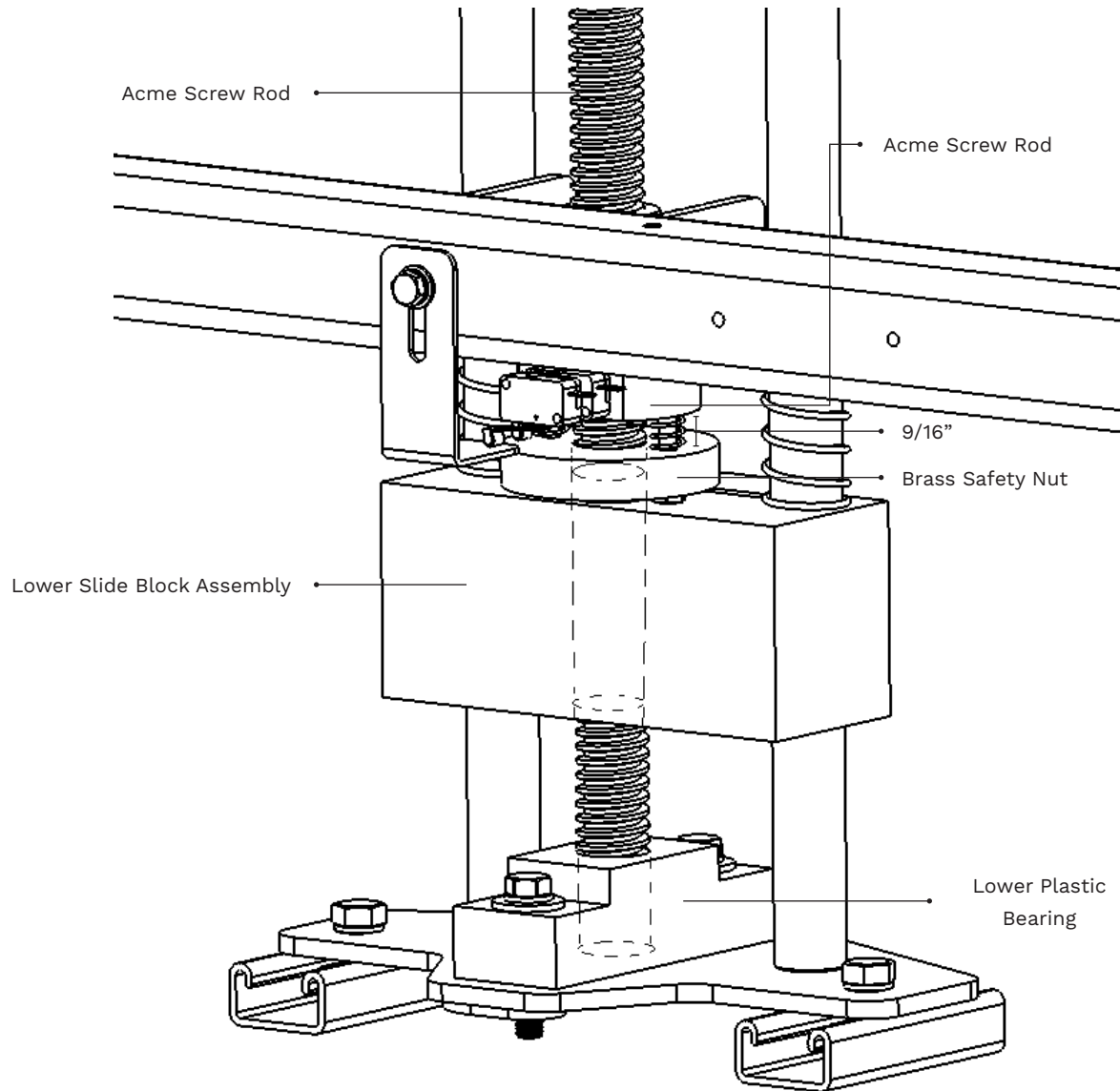
ACME ROD UPPER ASSEMBLY



3. Using **TWO PEOPLE**, slide the Acme Screw Rod through the bottom of the Upper Slide Block Assembly. **DO NOT BEND OR ALLOW ANY FLEX OF THE ACME SCREW ROD.**
4. Continue sliding the Acme Screw Rod through the bottom of the Aluminum Base and Bearing.
5. While holding the Acme Screw Rod, screw on the Top Coupler all the way down, until the Key Seats of the Top Coupler and Acme Screw Rod align. (It's OK if you have to "Back Screw" the Top Coupler to align the Key Seats).

(INSTALL ACME SCREW ROD CONT.)

6. Thread the Acme Screw Rod through the Plastic Acem Nute. **DO NOT BEND OR ALLOW ANY FLEX OF THE ACME SCREW ROD.**



7. Continue threading the Acme Screw Rod through the Plastic Acme Nut, Brass Safety Nut, the Lower Slider Block and into the Lower Plastic Bearing.
8. Ensure the width between the Bottom of the Plastic Acme Nut and the Top of the Brass Safety Nut is 9/16".

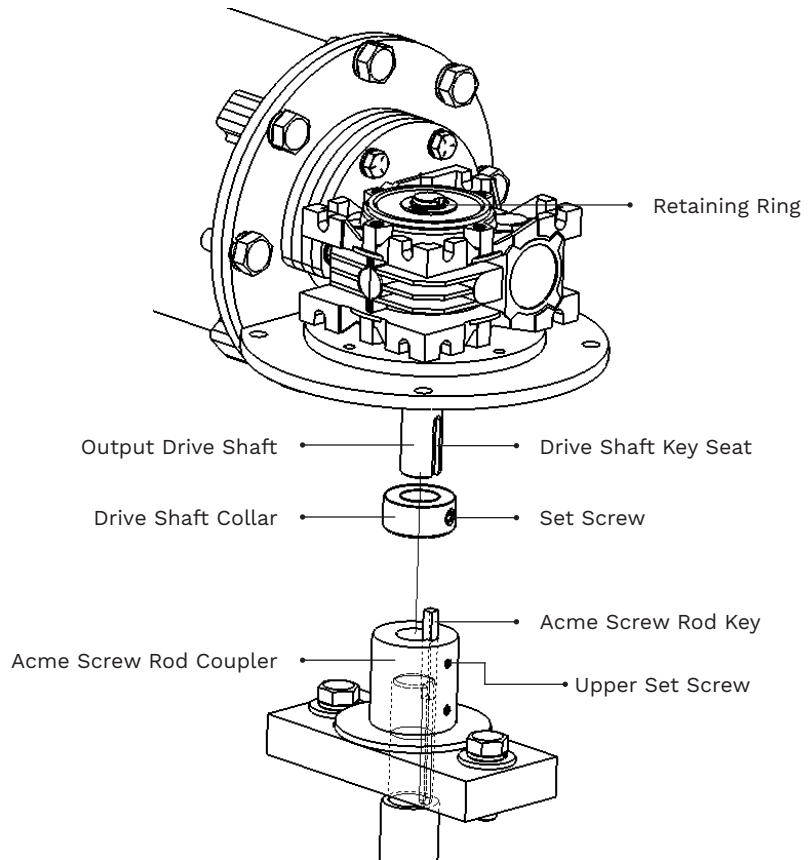
7. PREP THE DRIVE MOTOR

PROCEDURE

Install and fasten the Drive Motor's Output Drive Shaft.

INSTALL

1. Insert the Output Drive Shaft into the 90° Gearbox, keeping the Drive Shaft Key Seat aligned with the Acme Screw Rod Key.
2. Slide the Drive Shaft Collar above Drive Shaft Key Seat and fasten Set Screw.
3. Install the Retaining Ring before proceeding to the next step.



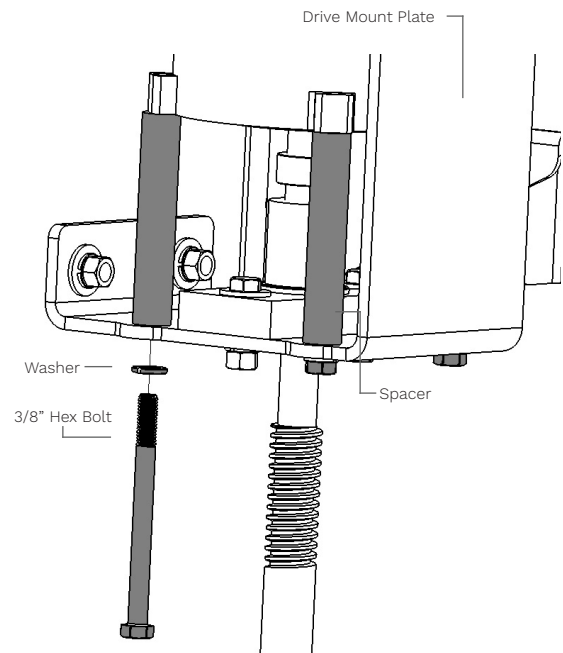
8. REMOUNT THE MOTOR DRIVE

PROCEDURE

Install and mount the Drive Motor

INSTALL

1. Align the Drive Shaft Key Seat and the Acme Screw Rod Key.
2. Slide Drive Motor onto the Acme Screw Rod.
3. Tighten the Upper Set Screw on the Acme Screw Rod Coupler.
4. Fasten the Drive Motor to the Drive Mount with the 4 Hex Bolts, 4 Washers and 4 Spacers.



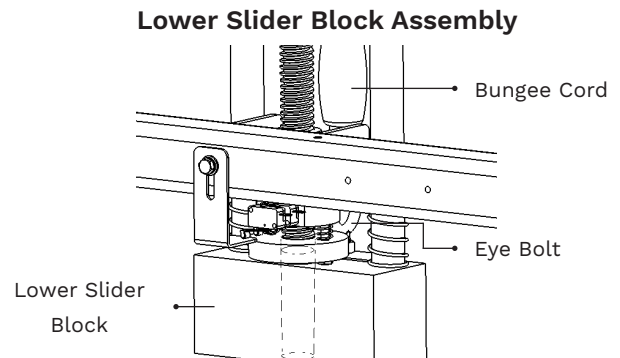
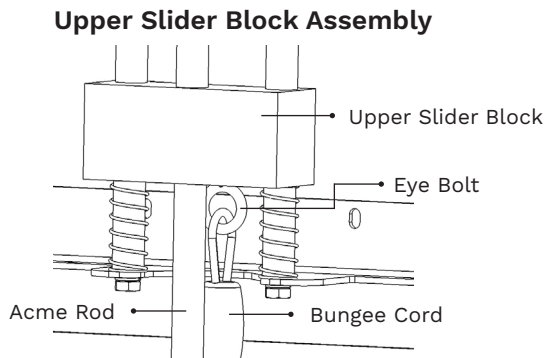
9. INSTALL BUNGEE CORD

PROCEDURE

Install the Bungee Cord to the Upper and Lower Slider Block Assembly.

INSTALL

1. Attach one side of the Bungee Cord Carabiner to the Eye Bolt on the Upper Acme Rod Slider Block Assembly.
2. Attach the other side of the Bungee Cord Carabiner to the Eye Bolt on the Lower Acme Rod Slider Block Assembly.



10 a. INSTALL BATTERIES AND WIRE DRIVE MOTOR

PROCEDURE

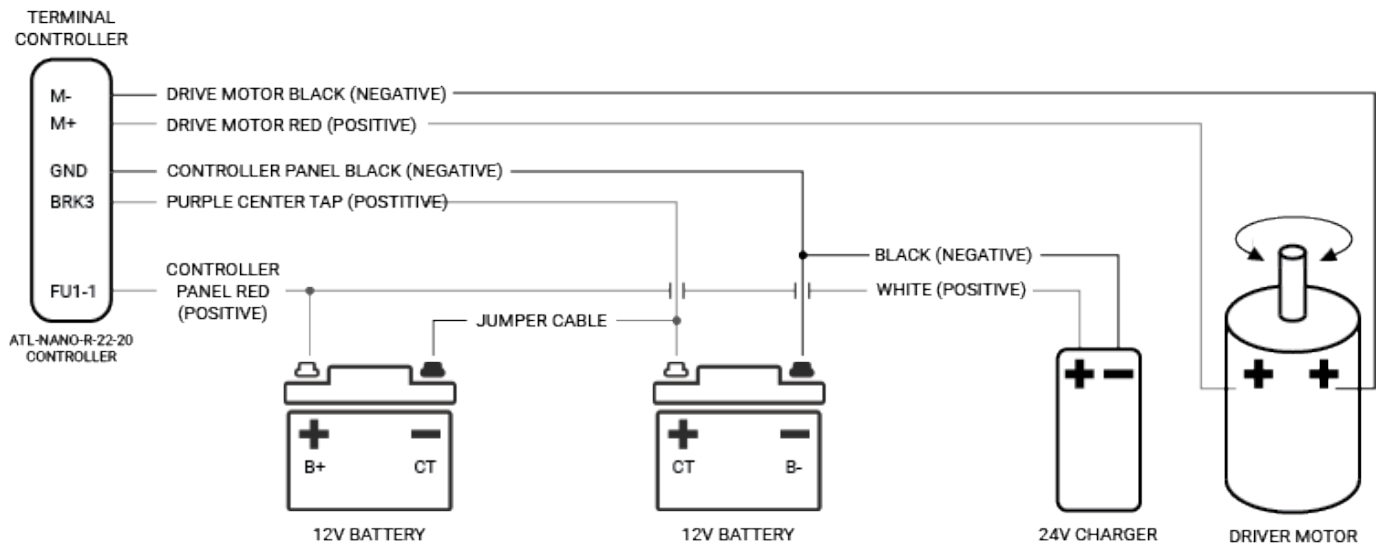
Connect Batteries and Drive Motor

NOTE

BATTERY INSTALLATION IS ONLY REQUIRED ON DC MODELS.

INSTALL

1. Place batteries into the upper tower position.
2. Use the Electrical Diagram to make the proper wiring connections.



10 b. WIRE AC DRIVE MOTOR CONFIGURATION

PROCEDURE

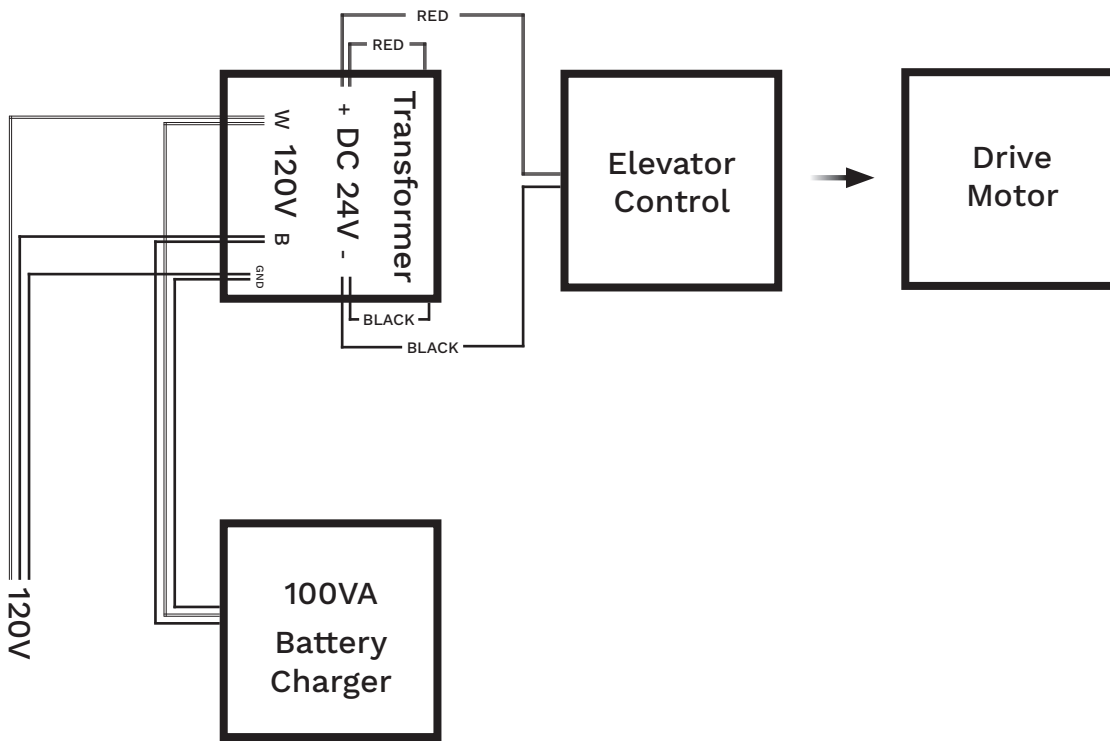
Connect the Transformer and Drive Motor

NOTE

THIS INSTALLATION IS ONLY REQUIRED ON AC MODELS.

INSTALL

1. Place batteries into the upper tower position.
2. Use the Electrical Diagram to make the proper wiring connections.



CONTINUE WITH THE HERCULES VERTICAL PLATFORM LIFT INSTALLATION GUIDE UNTIL STEP 14, THEN CONTINUE WITH STEP 11 OF THIS GUIDE.

11. MOUNT FRONT PANEL SUPPORT BARS

MATERIALS

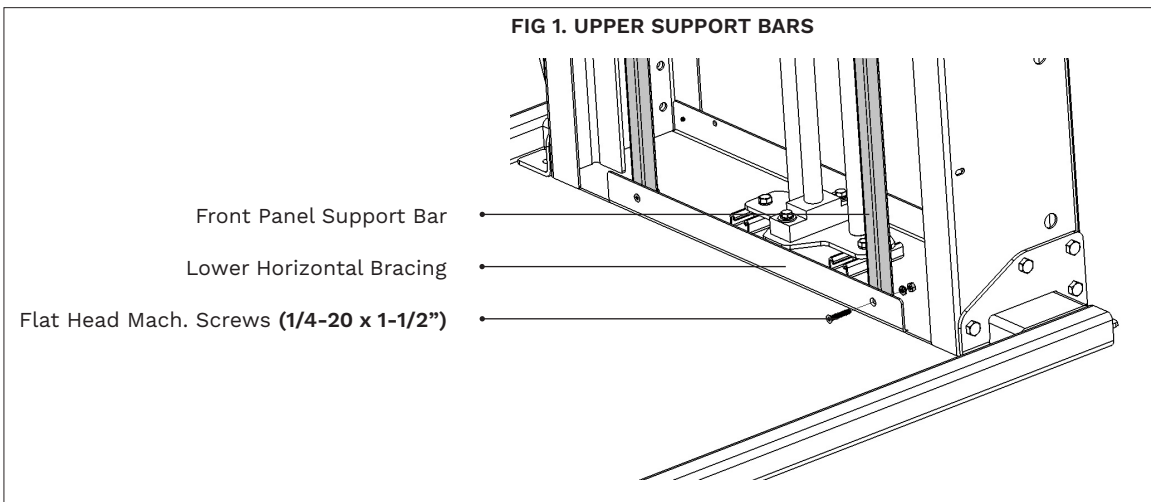
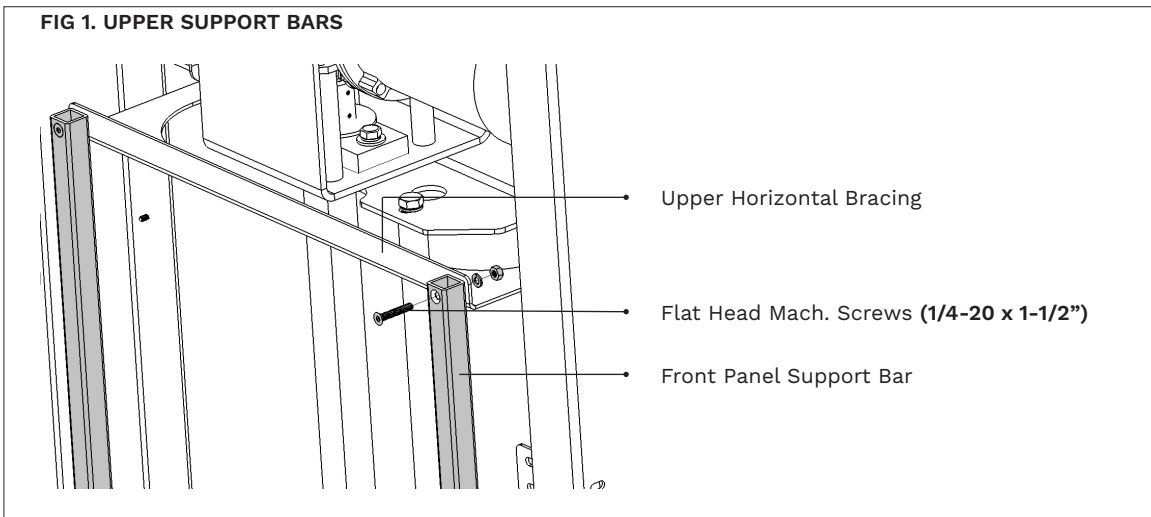
4 Flat Head Mach. Screws (1/4-20 x 1-1/2"), 4 Washers, 4 Hex Nuts.

PROCEDURE

Install and Fasten the Front Panel Support Bars.

INSTALL

1. Fasten the top of the Support Bars. Make sure that the bars are placed on top of the Upper Horizontal Bracing and fastened with proper bolt configuration.
2. Fasten the bottom of the two Support Bars. Ensure that the bars are placed behind the Lower Horizontal Bracing and fastened with proper bolt configuration.



12. INSTALL FRONT PANELS

MATERIALS

Lower and Upper Front Panels and Truss Phillips Screws (10/24 X 3/4").

PROCEDURE

Install and fasten Front Tower Panels.

INSTALL

1. Align and slide the Lower Tower Front Panel into position. Fasten the panel using Truss Phillips Screws (10/24 X 3/4").
2. Align and fasten the Upper Tower Front Panel. Make sure the Upper Front Panel overlaps the Lower Front Panel. Fasten the panel using Truss Phillips Screws (10/24 X 3/4").

FIG 1. LOWER FRONT PANEL

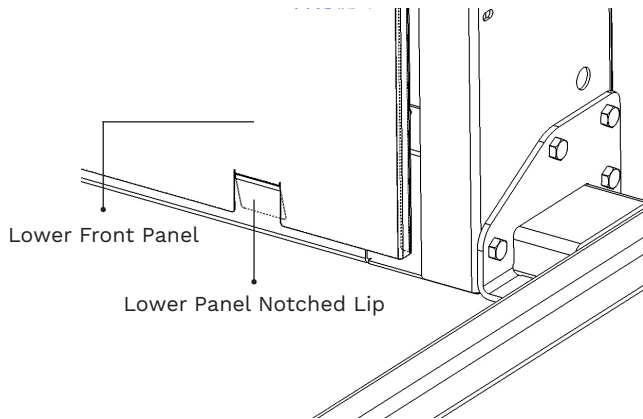
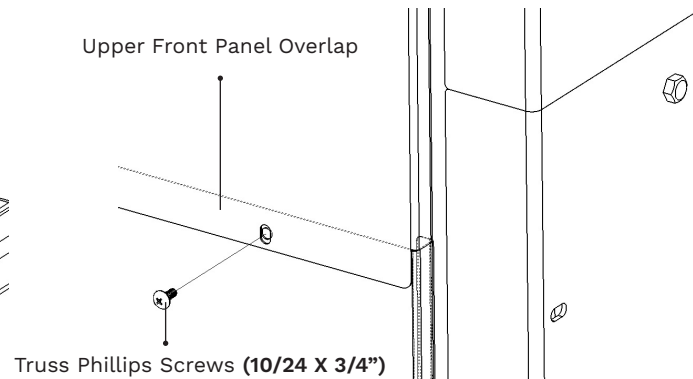


FIG 2. UPPER FRONT PANEL



WARNING

ENSURE THAT THE LOWER PANEL NOTCHED LIP SLIDES BEHIND THE LOWER HORIZONTAL BRACING.

13. MOUNT AND FASTEN TOP COVER

MATERIALS

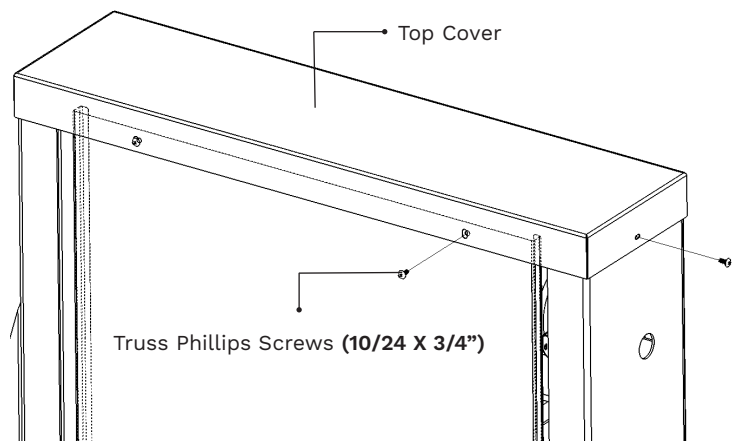
4 Truss Phillips Screws (1/4"-20 X 3/4").

PROCEDURE

Place and fasten Top Cover

INSTALL

1. Place the Top Cover on top of the Tower and fasten into place using 4 Truss Phillips Screws (1/4"-20 X 3/4")



NOTES



HERCULES EXTENDED TOWER INSTALLATION GUIDE

© 2018 AMERIGLIDE, INC.