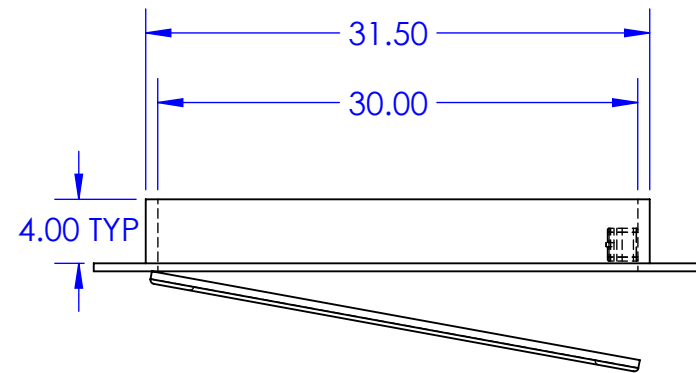


ITEM NO.	PART NUMBER	QTY.
1	Cab Bottom_Top Panel	2
2	Cab Side Panel	1
3	Cab Door Panel	2
4	Cab Panel	1
5	MirrorCab Side Panel	1
6	Door Threshold	1

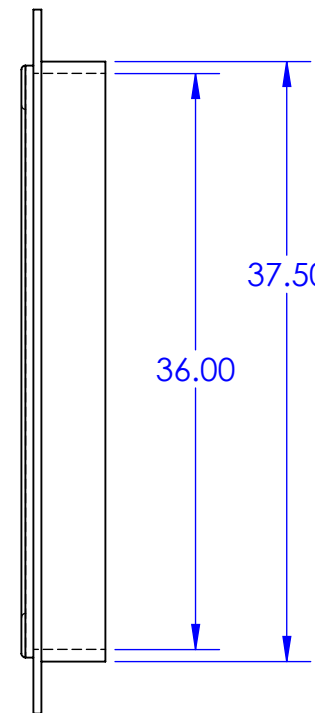
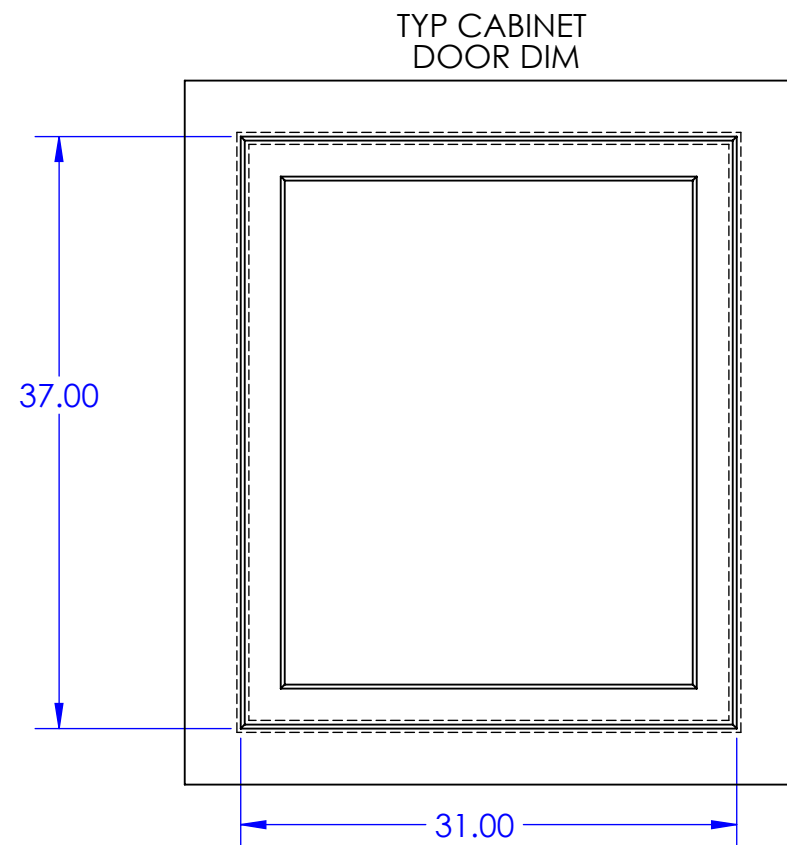
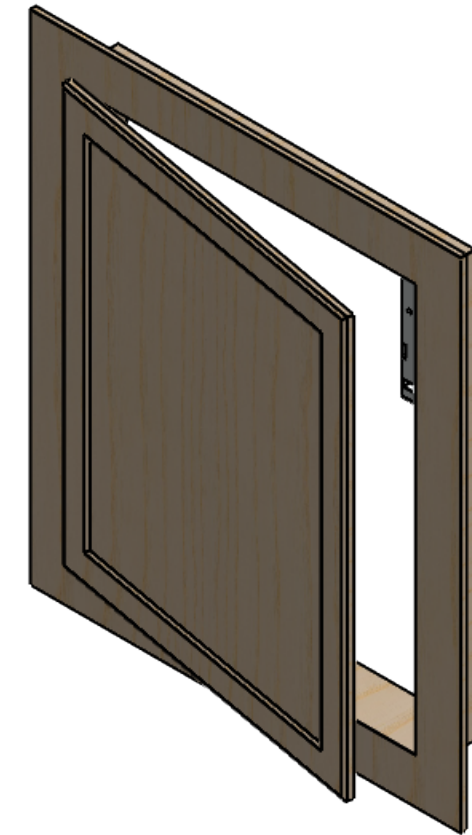


## White Laminate 30x30x36 ID Oversized Cab

DO NOT SCALE DRAWING	NAME	DATE	PROJECT NAME
	DRAWN		<b>Layout Drawing</b>
APPROVAL STATUS:	PROPRIETARY AND CONFIDENTIAL		PROJECT LOCATION
APPROVED	THE INFORMATION CONTAINED IN THIS DRAWING IS THE SOLE PROPERTY OF PRECISION LIFT INDUSTRIES, LLC. ANY REPRODUCTION IN PART OR AS A WHOLE WITHOUT THE WRITTEN PERMISSION OF PRECISION LIFT INDUSTRIES, LLC IS PROHIBITED.		COMMENTS:
APPROVED AS NOTED			<b>30x30x36 Commercial</b>
REVISE AND RESUBMIT			SCALE 1:16
SIGNATURE	SIZE DWG. NO.	REV.	



RH Swing Shown



**Honeywell Lock Included  
Hall Cabinet Door, Hardware & Face BY OTHERS**



RECOMMENDED DOORS

DO NOT SCALE DRAWING	DRAWN	NAME	DATE	PROJECT NAME
	PROPRIETARY AND CONFIDENTIAL			Layout Drawing
APPROVAL STATUS:	THE INFORMATION CONTAINED IN THIS DRAWING IS THE SOLE PROPERTY OF PRECISION LIFT INDUSTRIES, LLC. ANY REPRODUCTION IN PART OR AS A WHOLE WITHOUT THE WRITTEN PERMISSION OF PRECISION LIFT INDUSTRIES, LLC IS PROHIBITED.			PROJECT LOCATION
APPROVED	COMMENTS:			30x30x36 Commercial
APPROVED AS NOTED				
REVISE AND RESUBMIT	SCALE	DWG. NO.	REV.	
SIGNATURE	A			
	SCALE 1:16			SHEET 4 OF 4