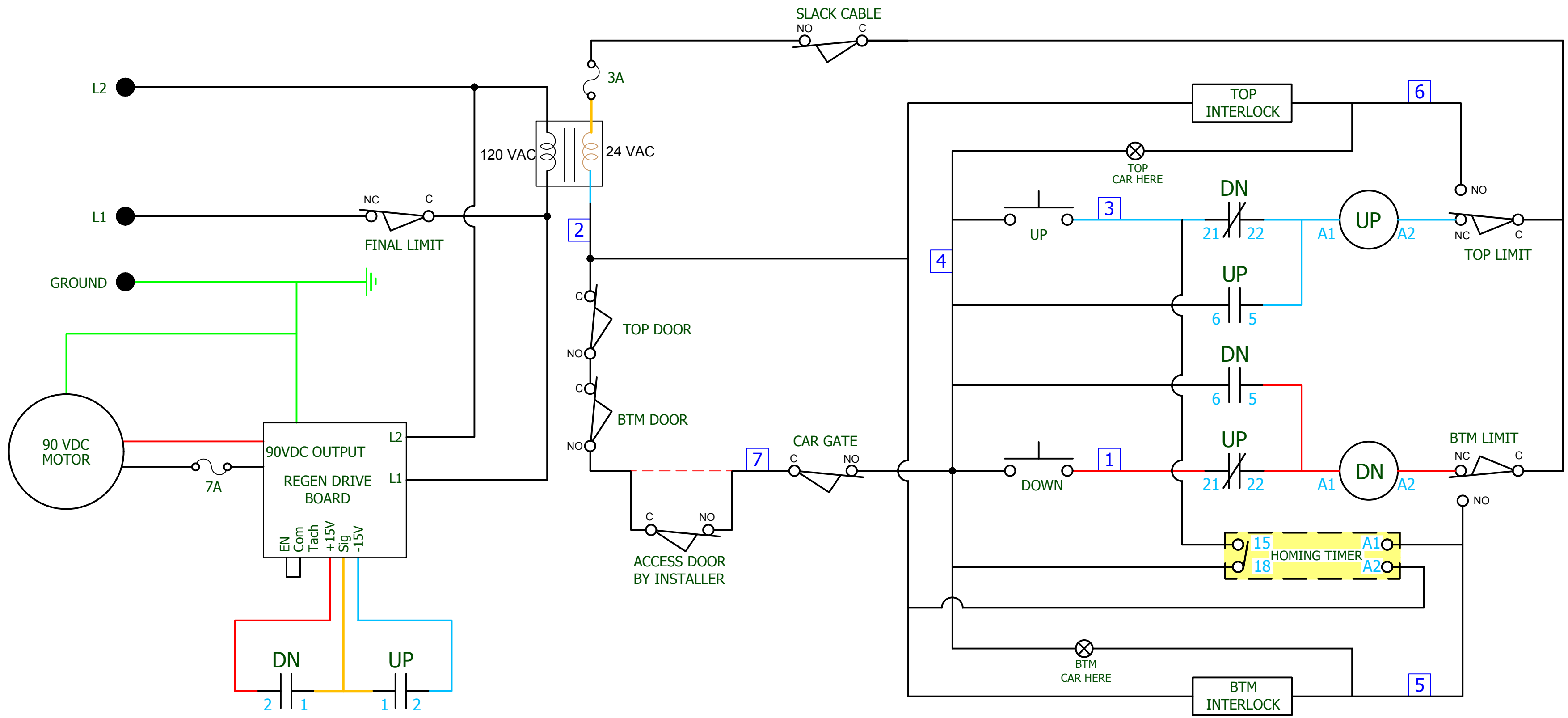
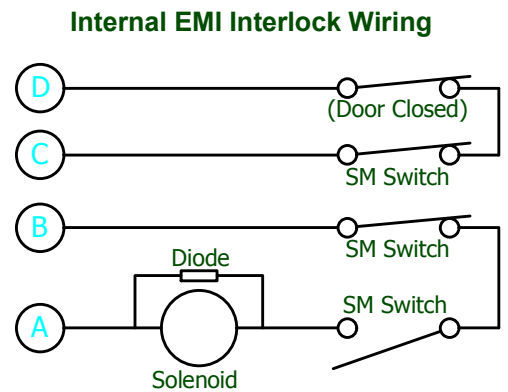


REVISION HISTORY				
REV	DESCRIPTION	BY	CHK	DATE
A	INITIAL RELEASE, REPLACES 25415; REF ECO-000657	MN	MM	15-Oct-14



- LEGEND:
- 9 TRAVEL CABLE NUMBER
 - SWITCH - N.C.
 - SWITCH - N.O. HELD CLOSED
 - CONTACT - N.O.
 - CONTACT - N.C.
 - CONTACTOR COIL
 - PUSH BUTTON



NOTES:

- ALL WIRES TO BE COPPER.
- FOR UNITS SHIPPED AFTER 07/02/2007.
- AUTOMATIC HOMING TO TOP FLOOR.

<small>CONFIDENTIAL INFORMATION NOT TO BE COPIED OR USED WITHOUT WRITTEN CONSENT</small> <small>INTERPRET DRAWING AND TOL PER ASME Y14.5 - 2009</small>		<h1>AmeriGlide</h1>	
<small>UNLESS OTHERWISE SPECIFIED DIMENSIONS ARE IN INCHES. TOLERANCES ARE:</small>		DWG NO. 640-00010 REV A	
DECIMALS .X ± 0.1 .XX ± 0.02 .XXX ± 0.010 ANGLES - ± 1°		DESCRIPTION SCHEMATIC, DUMBWAITER, 2-STOP	
<small>- DO NOT MEASURE FROM DRAWING.</small>		DRAWN BY JB	DATE 15-Oct-14
		SCALE NTS SIZE C	SHEET 1 OF 1