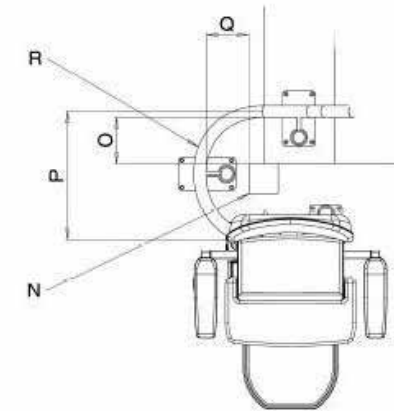
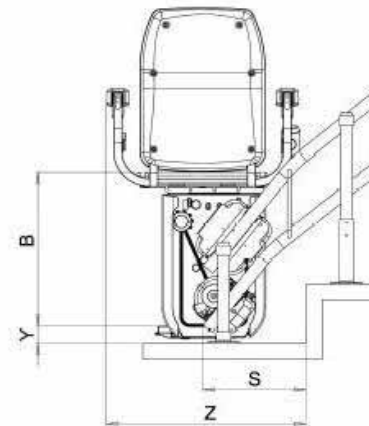
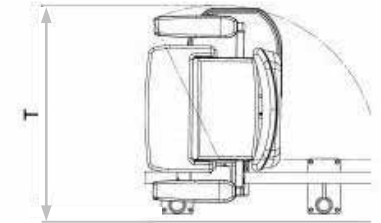
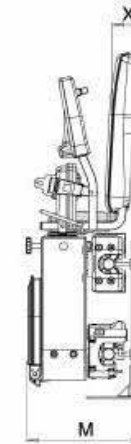
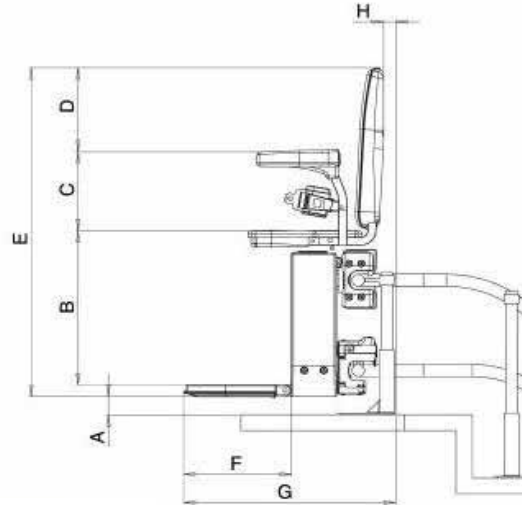
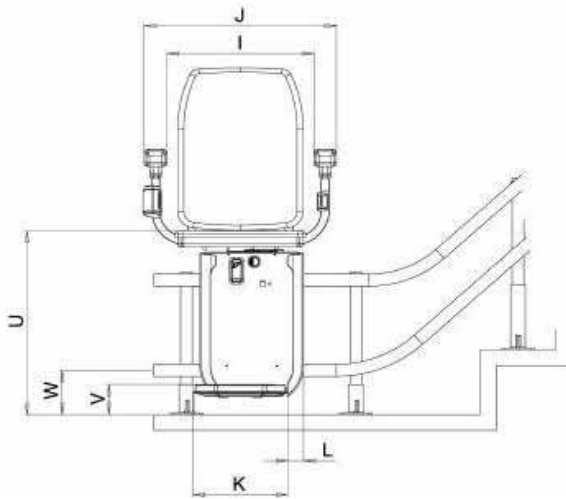


TECHNICAL DATA SHEET



Platinum Curve		mm	Inches	mm	Inches
		Standard		Heavy duty	
A	Floor to bottom of footrest	54	2.1	54	2.1
B	Top of footrest to top of seat	494	19.4	524	20.7
C	Top of seat to top of arms	244	9.6	244	9.6
D	Top of arms to top of seat back	261	10.3	231	9.1
E	Overall height	1041	41	1071	42.2
F	Length of footrest	329	13	329	13
G	Front of footrest to back of the leg	651	25.6	651	25.6
H	Back of seat to back of leg	39	1.5	39	1.5
I	Width between arm rests	451	17.7	556	21.9
J	Overall width	589	23.2	694	27.3
K	Width of footrest	290	11.4	291	11.4
L	Footrest offset	49	1.9	49	1.9
M	Folded footrest width	363	14.3	363	14.3
N	Newell post typical	90x90	3.5x3.5	90x90	3.5x3.5
O	Newell post to inside of rail	136	5.4	136	5.4
P	180 bend on rail centre to centre typical	400	15.7	400	15.7
Q	Newell post to inside of rail	136	5.4	136	5.4
R	Bend radius on centre line (min)	200	7.9	200	7.9
S	Front of drop nose to step (typical* 52° start)	300	11.8	300	11.8
T	Minimum swivel radius from wall	680	26.8	723	28.5
U	Seat to floor (on a horizontal run-on)	589	23.2	619	24.4
V	Top of footrest to floor (on a horizontal run-on)	95	3.7	95	3.7
W	Centre of tube to floor	140	5.5	140	5.5
X	Back of chair (inside) to wall (on a horizontal run-on)	115	4.5	115	4.5
Y	Top of footrest to floor (on normal start)	58	2.3	58	2.3
Z	Armrest to first riser (on typical* 52° start)	610	24	660	26

* Typical Step: 7 inch (180mm) height
Measurements are only a guide and subject to site and client survey

