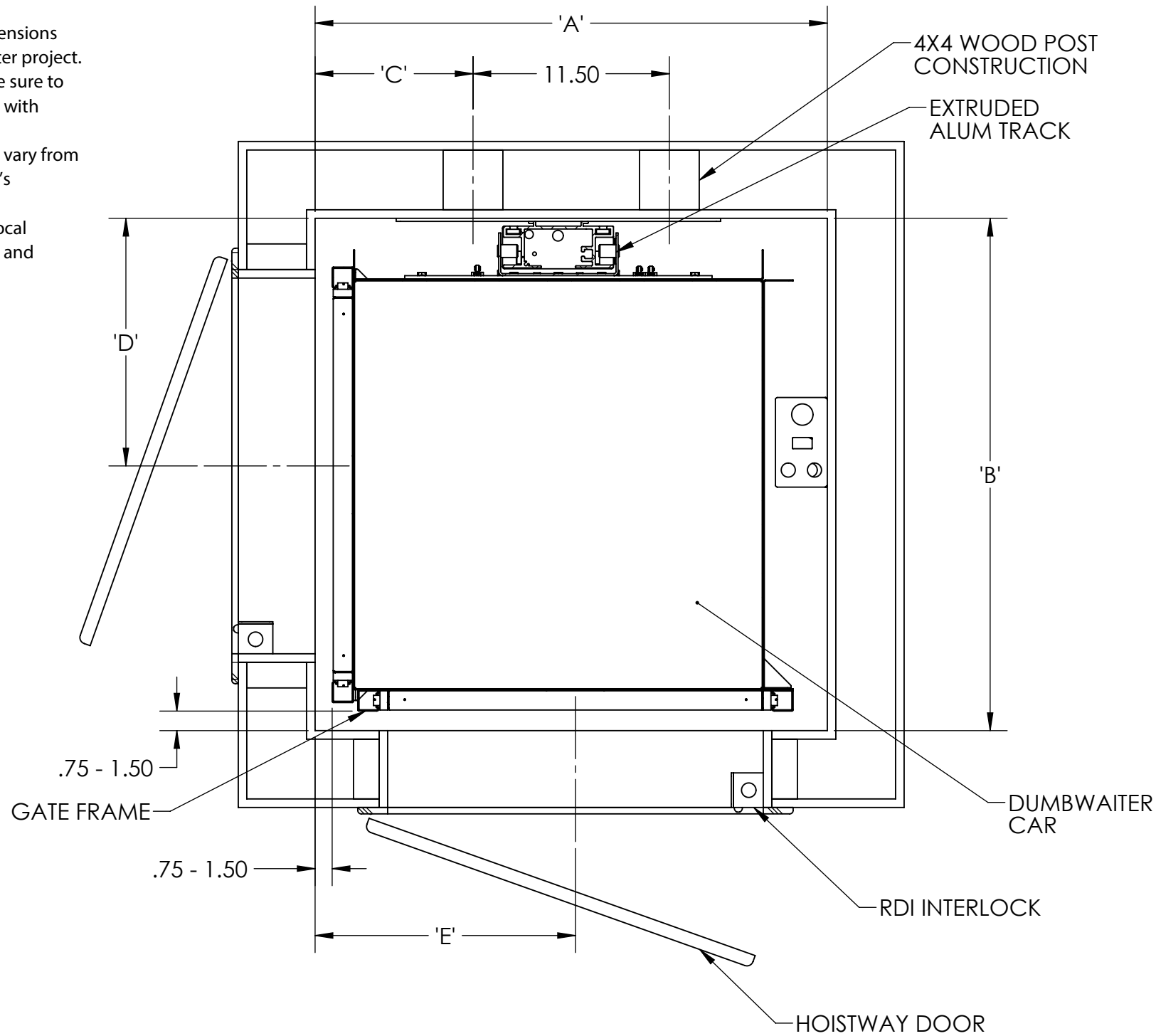


This generic drawing shows nominal dimensions useful for INITIAL planning of a dumbwaiter project. BEFORE beginning actual construction, be sure to request application drawings customized with dimensions for your specific project. Hoistway construction requirements may vary from state to state. Dimensions given are USM's recommended sizes, reflecting running and access clearances. Consult local authority to assure compliance with state and local codes.



Dumbwaiter Specs

CAR SIZE: 20"W X 20"D X 30"H
 24"W X 24"D X 30"H
 30"W X 30"D X 36"H

DRIVE SYSTEM: BATTERY POWERED RACK AND PINION
 FINISH: POWDER COATED (RAL 9002)

SPEED: 16-20 FPM

POWER SUPPLY: 110VAC

TRACK: 6063-T6 EXTRUDED ALUMINUM

CONTROLS: AUTOMATIC OPERATION, WIRELESS PUSH
 BUTTON CONTROL AT EACH LANDING

MOTOR: 140 WATT, 24VDC

BRAKE: 24VDC

CAR GATE: BI-PARTING VERTICAL SLIDING PANELS

SAFETY DEVICE:

LIMIT SWITCHES AT EACH STOP

FINAL LIMIT AT TOP AND BOTTOM

CAR GATE SWITCH

ELECTROMECHANICAL HOISTWAY DOOR INTERLOCKS

OVERSPEED GOVERNOR

PLAN VIEW OF HOISTWAY

DOUBLE OPENING - LEFT HAND CAR						
CAR SIZE	'A'	'B'	'C'	'D'	'E'	CAPACITY
20 x 20	26"	26"	7.25"	12.5"	13.25"	200#
24 x 24	30"	30"	9.25"	14.5"	15.25"	200#
30 x 30	36"	36"	12.5"	17.5"	18.25"	275#

HOISTWAY DIMENSIONS TO FINISHED WALLS.
 HOISTWAY DOOR CAN SWING EITHER DIRECTION. RIGHT HAND SHOWN

UNLESS OTHERWISE SPECIFIED:

DIMENSIONS ARE IN INCHES
 TOLERANCES:
 FRACTIONAL ±1/16
 ANGULAR: ±0.5°
 ONE PLACE DECIMAL ±0.1
 TWO PLACE DECIMAL ±0.01
 THREE PLACE DECIMAL ±0.005

INTERPRET GEOMETRIC
 TOLERANCING PER:

MATERIAL

FINISH

DO NOT SCALE DRAWING

	NAME	DATE
DRAWN		10/18/16
CHECKED		
ENG APPR.		
MFG APPR.		
Q.A.		
COMMENTS:		

USM accessibility & mobility experts

TITLE:
 DOUBLE OPENING - 90° LEFT

SIZE B	DWG. NO. DW-90 LH	REV B
------------------	-----------------------------	-----------------

SCALE: 1:48 WEIGHT: SHEET 1 OF 1